

BASE: Make from 1/4" thick material.

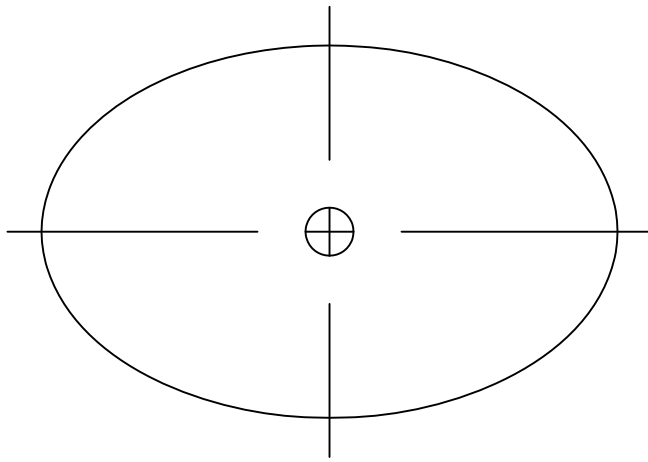
1.) Drill hole if you plan to add 1/4" dowel for support.

--OR--

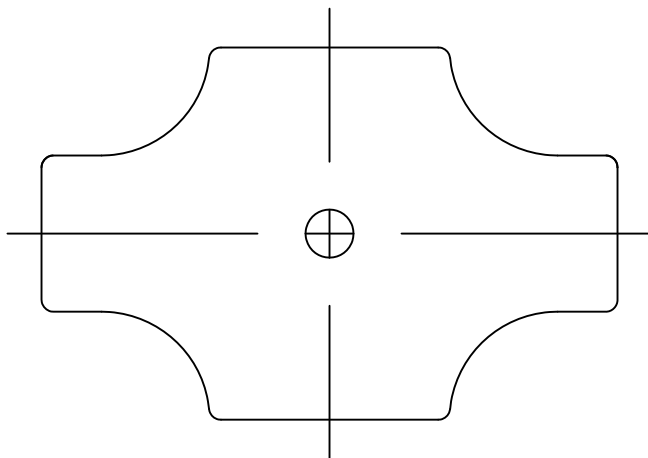
2.) Drill and countersink hole for screw.

WP-1301 WOOD BASE SUPPORT PATTERNS by OTB PATTERNS.

Find more free or inexpensive scroll saw patterns at www.otbpatterns.com



BASE A:



BASE B: