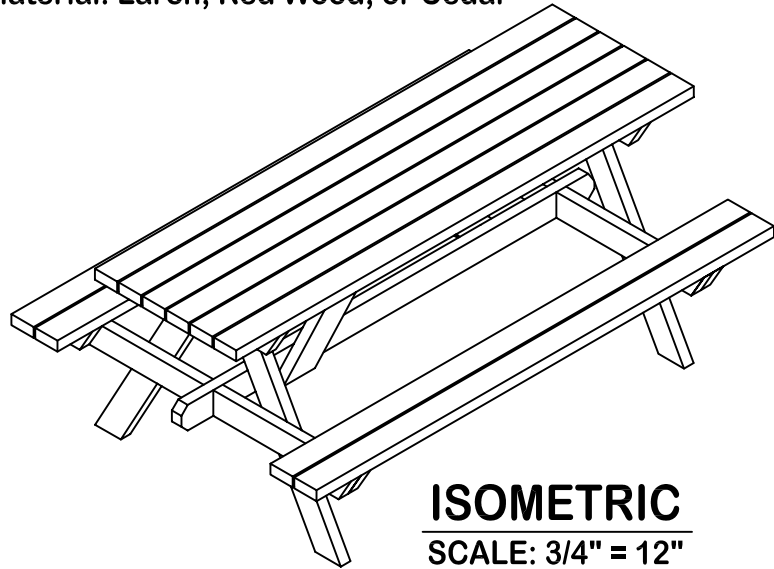




Copyright 2010  
All Rights Reserved.

This project requires 13 each 2 x 4 x 96"  
Material: Larch, Red Wood, or Cedar



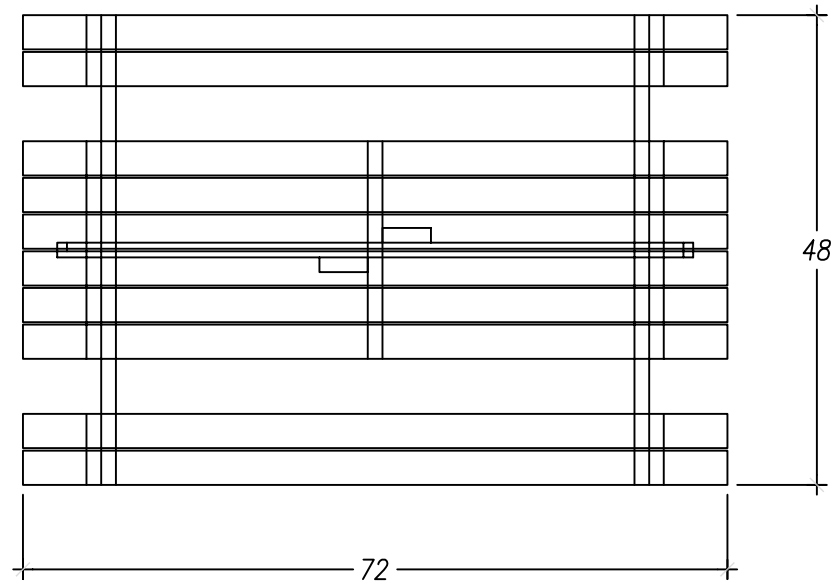
**ISOMETRIC**  
SCALE: 3/4" = 12"

Recommended material: 2x4 cedar, redwood, or larch, suitably treated.

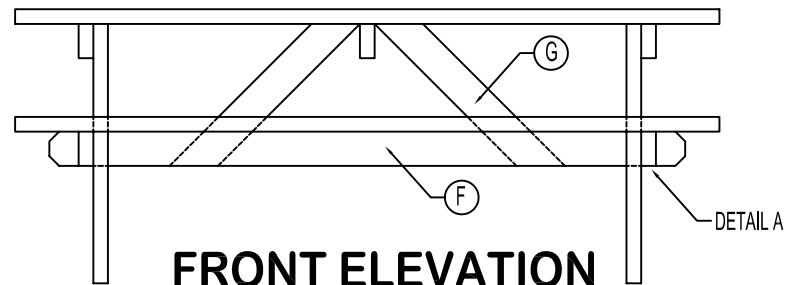
WP-607 Picnic Table

Please Note: There is a lot of information presented on the plans. Look the plans over carefully prior to cutting your matter to gain an understanding of how all parts are cut and used.

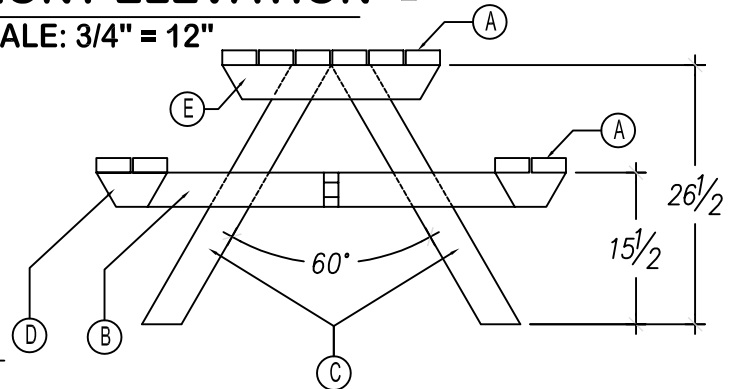
If you have any questions, or problems with the plans, please contact me;  
Jim Hurt  
OTB Patterns  
jim@otbpatterns.com  
801-425-3790



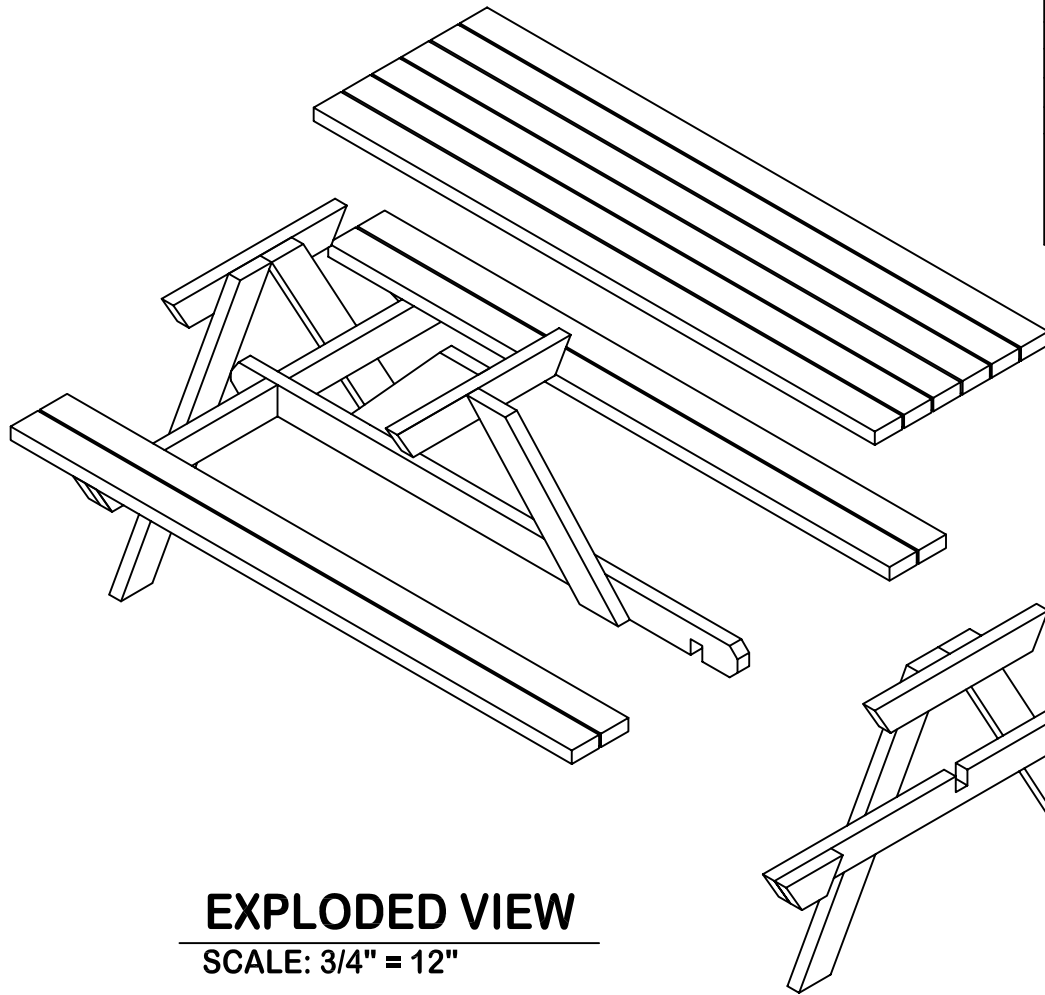
**TOP ELEVATION**  
SCALE: 3/4" = 12"



**FRONT ELEVATION**  
SCALE: 3/4" = 12"

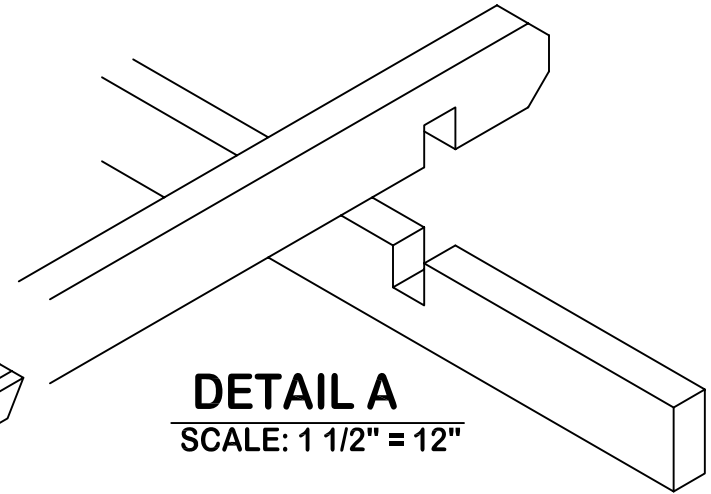


**SIDE ELEVATION**  
SCALE: 3/4" = 12"

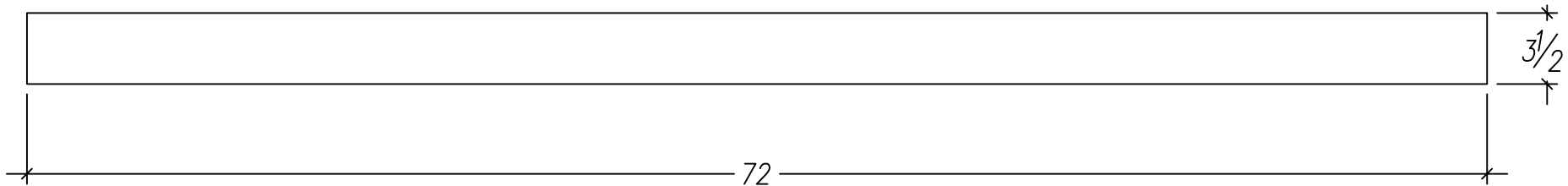


**EXPLODED VIEW**  
SCALE: 3/4" = 12"

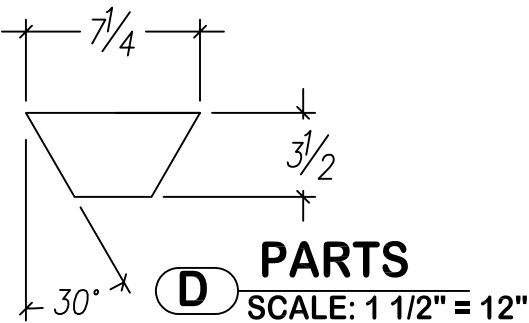
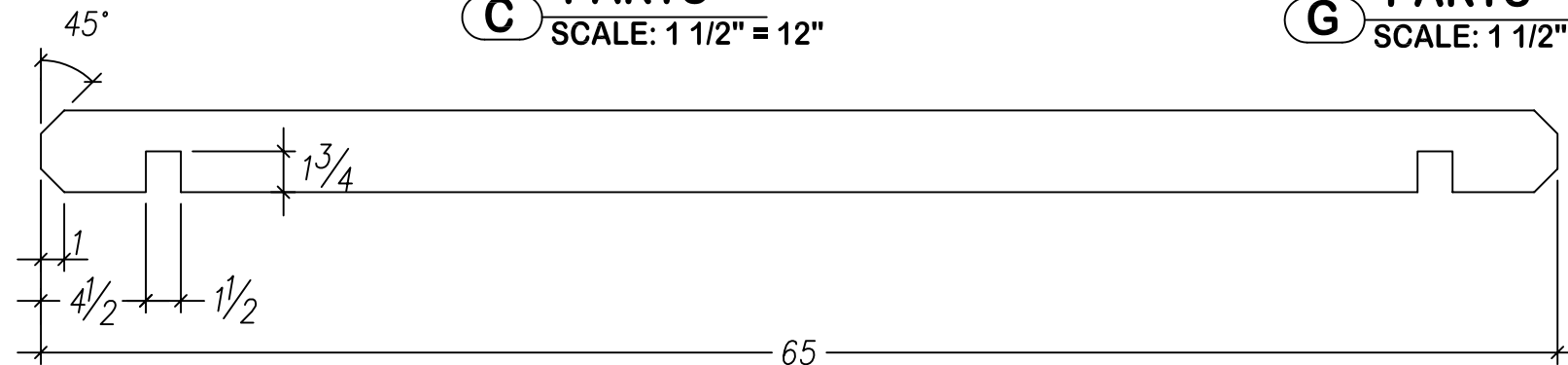
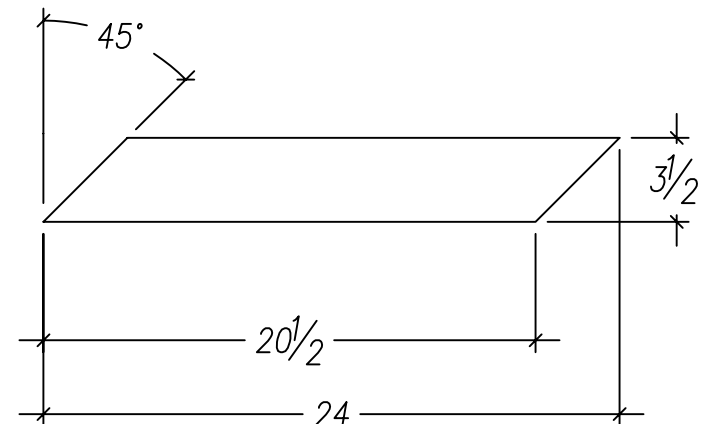
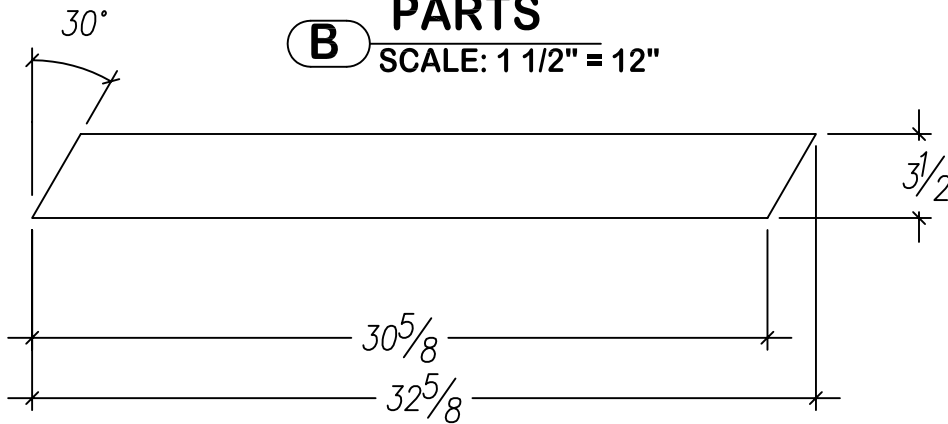
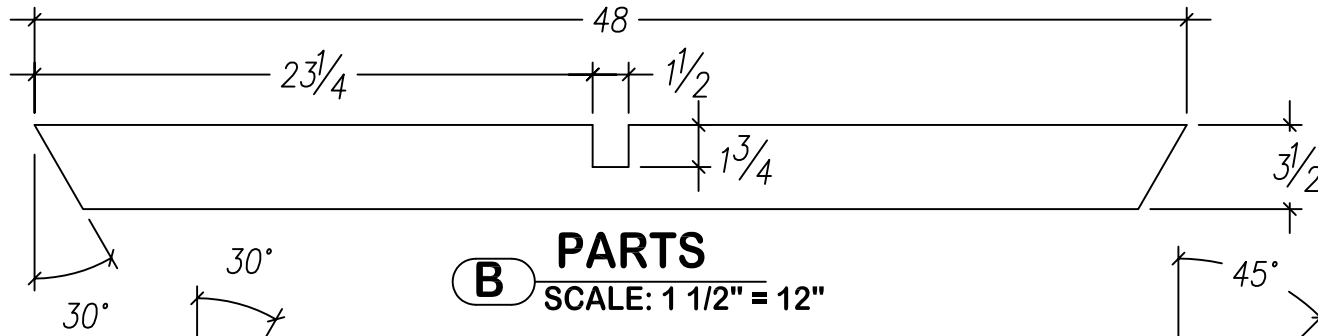
PARTS LIST	
54 EA. 2" SCREWS	(13 EACH 2 X 4 X 96" REQ'D )
28 EA. 3 1/2" LONG BOLTS	A - 10 REQUIRED - 2 x 4 x 72"
28 EA. NUTS	B - 2 REQUIRED - 2 x 4 x 48"
28 EA. WASHERS	C - 4 REQUIRED - 2 x 4 x 32 5/8"
Quantity of screws and nuts, bolts, and washers is figured at 2 per instance. You may wish to adjust quantities up or down.	D - 4 REQUIRED - 2 x 4 x 7 1/4"
	E - 3 REQUIRED - 2 x 4 x 22 1/4"
	F - 1 REQUIRED - 2 x 4 x 65"
	G - 2 REQUIRED - 2 x 4 x 24"



**DETAIL A**  
SCALE: 1 1/2" = 12"



**A PARTS**  
SCALE: 1 1/2" = 12"



**F PARTS**  
SCALE: 1 1/2" = 12"

